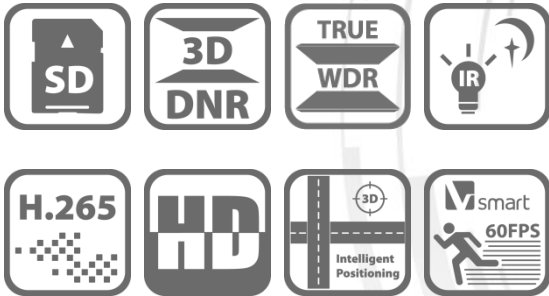


PTZ-N4225I-DE 2 MP 25× Network IR Speed Dome



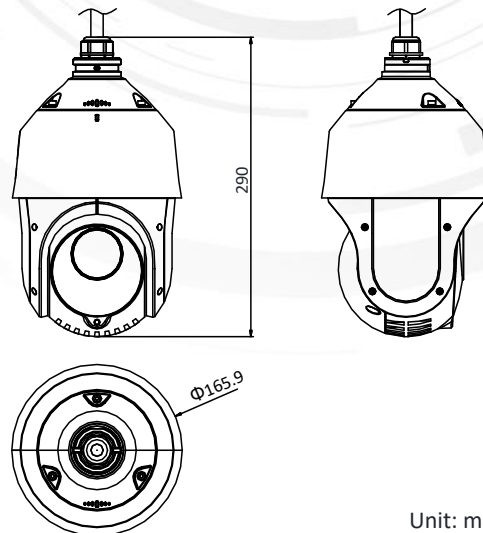
Key Features

- 1/2.8" progressive scan CMOS
- Up to 1920 × 1080 resolution
- Min. illumination:
Color: 0.005 Lux @(F1.6, AGC ON)
B/W: 0.001 Lux @(F1.6, AGC ON)
0 Lux with IR
- Up to 100 m IR distance
- 25× optical zoom, 16× digital zoom
- 120dB WDR, 3D DNR, HLC, BLC, Smart IR
- 12 VDC & PoE+ (802.3at, class4)
- Support H.265+/H.265 video compression
- Up to 24 programmable privacy masks
- Support ROI

Available Model

- PTZ-N4225I-DE

Dimensions



Unit: mm

Specification

Camera Module	
Image Sensor	1/2.8" progressive scan CMOS
Min. Illumination	Color: 0.005 Lux @(F1.6, AGC ON) B/W: 0.001 Lux @(F1.6, AGC ON) 0 Lux with IR
White Balance	Auto/Manual/ATW (Auto-Tracking White Balance)/Indoor/Outdoor/Fluorescent Lamp/Sodium Lamp
AGC	Auto/Manual
Shutter Time	1/1 s to 1/30,000 s
Day & Night	IR Cut Filter
Digital Zoom	16×
Privacy Mask	24 programmable privacy masks
Focus Mode	Auto/Semi-automatic/Manual
WDR	120dB WDR
Lens	
Focal Length	4.8 mm to 120 mm, 25× optical
Zoom Speed	Approx. 3.2 s (optical lens, wide-tele)
FOV	Horizontal field of view: 57.6° to 2.5° (wide-tele) Vertical field of view: 34.4° to 1.4° (wide-tele) Diagonal field of view: 64.5° to 2.9° (wide-tele)
Working Distance	10 mm to 1500 mm (wide-tele)
Aperture Range	F1.6 to F3.5
IR	
IR Distance	100 m
Smart IR	Support
PTZ	
Movement Range (Pan)	360° endless
Pan Speed	Configurable, from 0.1°/s to 80°/s Preset Speed: 80°/s
Movement Range (Tilt)	From -15° to 90° (Auto-flip)
Tilt Speed	Configurable, from 0.1°/s to 80°/s Preset Speed: 80°/s
Proportional Zoom	Support
Presets	300
Patrol Scan	8 patrols, up to 32 presets for each patrol
Pattern Scan	4 pattern scans, record time over 10 minutes for each scan
Power-off Memory	Support
Park Action	Preset/Pattern Scan/Patrol Scan/Auto Scan/Tilt Scan/Random Scan/Frame Scan/Panorama Scan
PTZ Position Display	Support
Preset Freezing	Support
Scheduled Task	Preset/Pattern Scan/Patrol Scan/Auto Scan/Tilt Scan/Random Scan/Frame Scan/Panorama Scan/Dome Reboot/Dome Adjust/Aux Output
Compression Standard	
Video Compression	Main Stream: H.265+/H.265/H.264+/H.264 Sub-Stream: H.265/H.264/MJPEG Third Stream: H.265/H.264/MJPEG
H.264 Type	Baseline Profile/Main Profile/High Profile
H.264+	Support
H.265 Type	Main Profile

H.265+	Support
Video Bitrate	32 Kbps to 16384 Kbps
Audio Compression	G.711alaw/G.711ulaw/G.722/G.726/MP2L2/PCM
Audio Bitrate	64 Kbps (G.711)/16 Kbps (G.722.1)/16 Kbps (G.726)/32 Kbps to 160 Kbps (MP2L2)
SVC	Support
Smart Feature	
Basic Event Detection	Motion Detection, Video Tampering Detection, Alarm Input, Alarm Output, Exception
ROI encoding	Main stream, sub-stream and third stream respectively support four fixed areas.
Smart Record	ANR (Automatic Network Replenishment), Dual-VCA
Image	
Max. Resolution	1920 × 1080
Main Stream	50Hz: 25fps (1920 × 1080, 1280 × 960, 1280 × 720) 50fps (1280 × 960, 1280 × 720) 60Hz: 30fps (1920 × 1080, 1280 × 960, 1280 × 720) 60fps (1280 × 960, 1280 × 720)
Sub-Stream	50Hz: 25fps (704 × 576, 640 × 480, 352 × 288) 60Hz: 30fps (704 × 480, 640 × 480, 352 × 240)
Third Stream	50Hz: 25fps (1920 × 1080, 1280 × 960, 1280 × 720, 704 × 576, 640 × 480, 352 × 288) 60Hz: 30fps (1920 × 1080, 1280 × 960, 1280 × 720, 704 × 480, 640 × 480, 352 × 240)
Image Enhancement	HLC/BLC/3D DNR/Defog/EIS/Regional Exposure/Regional Focus
Network	
Network Storage	Built-in memory card slot, support Micro SD/SDHC/SDXC, up to 256 GB; NAS (NPS, SMB/ CIFS), ANR
Alarm Linkage	Alarm actions, such as Memory Card Video Record, Trigger Recording, Notify Surveillance Center, Upload to FTP/Memory Card/NAS, Send Email, etc.
Protocols	IPv4/IPv6, HTTP, HTTPS, 802.1x, Qos, FTP, SMTP, UPnP, SNMP, DNS, DDNS, NTP, RTSP, RTCP, RTP, TCP/IP, UDP, IGMP, ICMP, DHCP, PPPoE, Bonjour
API	Open-ended, support ONVIF, ISAPI, and CGI, support HIKVISION SDK and Third-Party Management Platform
Simultaneous Live View	Up to 20 channels
User/Host	Up to 32 users. 3 levels: Administrator, Operator and User
Security Measures	User authentication (ID and PW), Host authentication (MAC address); HTTPS encryption; IEEE 802.1x port-based network access control; IP address filtering
Client	iVMS-4200, iVMS-4500, iVMS-5200, Hik-Connect
Web Browser	IE 8+, Firefox 30+, Safari 8.0+ web browser
Interface	
Audio Interface	1-ch audio input and 1-ch audio output
Alarm Interface	2-ch alarm input and 1-ch alarm input
Network Interface	1 RJ45 10 M/100 M Ethernet Interface; PoE+
General	
Power	12 VDC & PoE+ (802.3at, class4), Max.:18 W (IR Max.6 W)
Working Temperature	-30°C to 65°C (-22°F to 149°F)
Working Humidity	≤ 90%
Protection Level	IP66 Standard, TVS 4000V Lightning Protection, Surge Protection and Voltage Transient Protection
Material	Aluminum Alloy
Dimensions	Φ 165.9 mm × 290 mm (Φ 6.53" × 11.42")
Weight	Approx. 2 kg (4.41 lb)

Accessories

	DS-1602ZJ	Wall Mounting Bracket
	DS-1602ZJ-corner	Corner Mounting Bracket
	DS-1602ZJ-pole	Vertical Pole Mounting Bracket
	DS-1602ZJ-box	Wall Mounting Bracket with Junction Box
	DS-1663ZJ	Ceiling Mounting Bracket
	DS-1661ZJ	Pendant Mounting Bracket
	DS-1662ZJ	Pendant Mounting Bracket
	DS-1619ZJ	Gooseneck Mounting Bracket
	DS-1671ZJ-SDM9	In-ceiling Mounting Bracket
	DS-1100KI	Network Keyboard
	DS-1005KI	USB Joy-stick