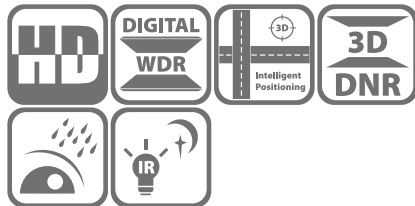


DS-2AE4223TI/4123TI-D 1080P/720P 23X PTZ IR Analog Camera



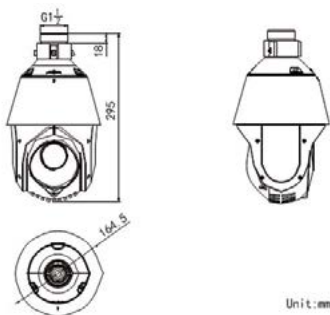
Key features

- 1080P/720P video output
- 23X optical zoom
- Up the coaxial function
- Privacy masking
- Up to 100m IR distance
- 12VDC

Available Models

DS-2AE4223TI/4123TI-D

Dimension



Accessories



| | DS-2AE4223TI-D | DS-2AE4123TI-D |
|---|--|----------------|
| Camera Module | | |
| Image Sensor | 1/3" Progressive Scan CMOS | |
| Min. Illumination | Color: 0.05Lux@(F1.6,AGC ON); B/W: 0.005Lux@(F1.6,AGC ON), 0 Lux with IR | |
| Max. Image Resolution | 1920 × 1080 | 1280 × 720 |
| Focal Length | 4-92.0mm, 23x | |
| Digital Zoom | 16X | |
| Zoom Speed | Approx.3s(Optical Wide-Tele) | |
| Angle of View | 49-2.2 degree(Wide-Tele) | |
| Min. Working Distance | 10-1,000mm(Wide-Tele) | |
| Aperture Range | F1.4-F3.5 | |
| Focus Mode | Auto / Semiautomatic / Manual | |
| DWDR | Support | |
| S / N Ratio | ≥ 50dB | |
| Shutter Time | 1-1/10,000s | |
| AGC | Auto / Manual | |
| White Balance | Auto / Manual / ATW / Indoor / Outdoor | |
| Day & Night | IR Cut Filter | |
| Privacy Mask | 8 privacy masks programmable; a maximum of 8 zones can be masked simultaneously on the same video screen | |
| Enhancement | 3D DNR, BLC, EIS | |
| Pan and Tilt | | |
| Range | Pan:360° endless; Tilt: -15°~90°(Auto Flip) | |
| Speed | Pan Manual Speed: 0.1°~80°/s, Pan Preset Speed: 80°/s Tilt Manual Speed: 0.1°~80°/s, Tilt Preset Speed: 80°/s | |
| Number of Preset | 256 | |
| Patrol | 8 patrols, up to 32 presets per patrol | |
| Pattern | 4 patterns, with the total recording time not less than 10 minutes | |
| Park Action | Preset / Patrol / Pattern / Pan scan / Tilt scan / Panorama scan | |
| Scheduled Task | Preset / Patrol / Pattern / Pan scan / Tilt scan / Panorama scan | |
| RS-485 communication diagnosis | Support | |
| Infrared | | |
| IR Distance | Up to 100m | |
| IR Intensity | Automatically adjusted, depending on the zoom ratio | |
| Input/ Output | | |
| Turbo HD Output | 1 turbo HD720P/1080P output, 1.0V[p-p] / 75Ω, NTSC (or PAL) composite, BNC | |
| CVBS Output | 1.0V[p-p] / 75Ω, NTSC (or PAL) composite, BNC | |
| RS-485 Interface | Half-duplex mode Self-adaptive HIKVISION, Pelco-P, Pelco-D protocol | |
| UTC function | HIKVISION_C | |
| General | | |
| Menu Language | English | |
| Power | 12VDC, Max.18W | |
| Working Temperature / Humidity | -30 °C~65°C(-22°F~149°F) 90% or less | |
| Protection Level | IP66 standard TVS 4,000V lightning protection, surge protection and voltage transient protection | |
| Mounting | Various mounting modes optional | |
| Dimensions | Φ164.5(mm)×295(mm) | |
| Weight (approx.) | 2Kg (4.41lbs) | |
| Mount Option (only suitable for outdoor dome) | Long-arm wall mount: DS-1602ZJ; Corner mount: DS-1602ZJ-corner; Pole Mount: DS-1602ZJ-pole; Power box mount:DS-1602ZJ-box; Swan-neck mount: DS-1619ZJ | |