

DS-2AE5123T

E Series 5 Inch turbo HD720p PTZ Dome Camera



Key features

System function:

- 1/3" high performance CMOS, up to 1280x720 resolution
- $\pm 0.1^\circ$ Preset Accuracy
- Self-adaptive to HIKVISION, Pelco-P/D protocol
- 3D intelligent positioning function
- Power-off memory function: restore PTZ & Lens status after reboot
- Built-in temperature sensor, with display of internal temperature
- Lightning protection, surge protection and voltage transient protection
- IP66 standard (outdoor dome)
- Impact Protection: IEC60068-2-75 test, Eh, 20J; EN50102, up to IK10
- RS-485 communication diagnosis
- Scheduled PTZ movement
- UTC(Up the Coax) function

Camera function:

- Auto focus, auto white balance, backlight compensation and auto/manual day & night switch
- Privacy masks programmable
- 3D DNR, digital WDR

PTZ function:

- 360° endless pan range and -5° - 90° tilt range
- 300°/s Pan Preset Speed and 200°/s Tilt Preset Speed
- 0.1°-250°/s Manual Pan Speed and 0.1°-150°/s Manual Tilt Speed
- 256 presets programmable; preset image freezing capability
- 8 patrols, up to 32 presets per patrol
- 4 patterns, with the total recording time not less than 10 minutes
- Proportional zoom function
- Park action: auto call up of PTZ movement, after a defined time of inactivity

Application Scenarios

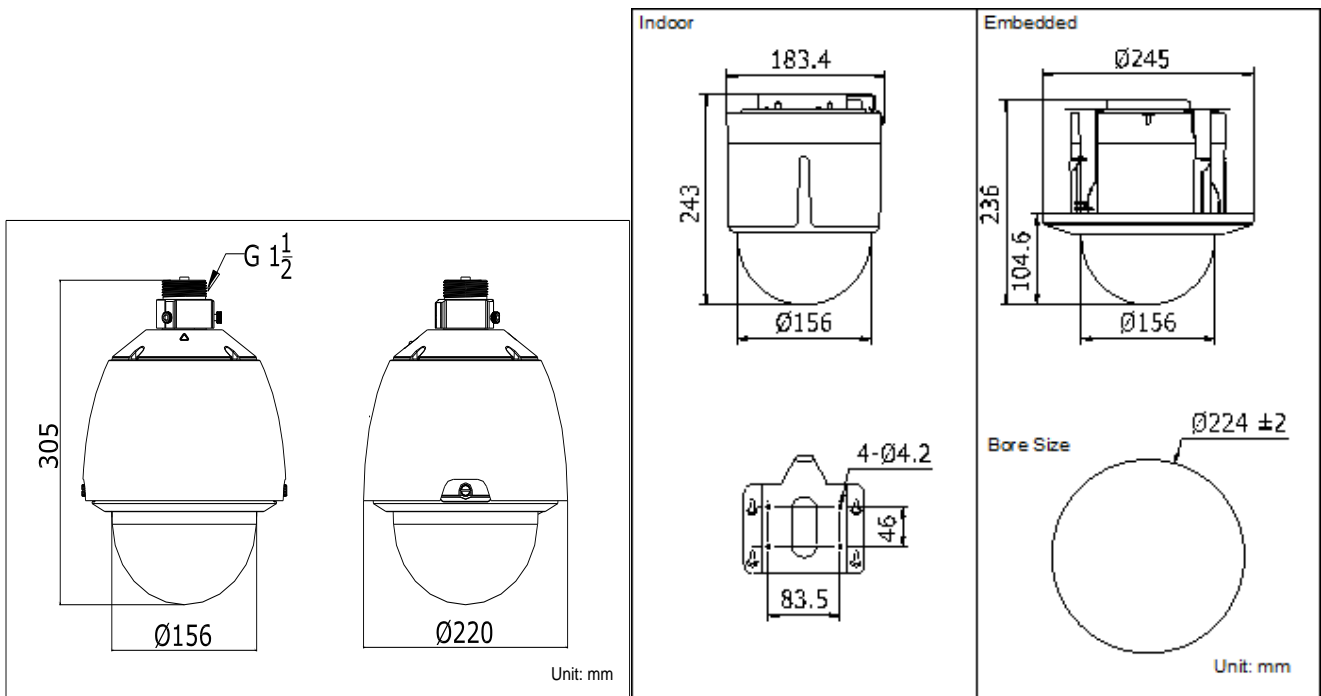
It can be widely applied to places requiring wide-area monitoring display, such as rivers, forests, highways, railways, airports, ports, sentries, squares, parks, scenic sites, streets, stations, large venues, outside of residential areas, etc., and the auto tracking function can be applied to the perimeter protection scenes, e.g., the perimeter of airport, harbor, and residential community.

Specifications

| Parameter | | Model |
|--------------|-------------------------------|---|
| | | DS-2AE5123T-A: 24VAC, Outdoor DS-2AE5123T-A3: 24VAC, Indoor E Series 5 Inch turbo HD720p PTZ Dome Camera |
| Camera | Image Sensor | 1/3" CMOS |
| | Max. Image Resolution | 1280×720 |
| | Frame Rate | 50Hz:25fps(1280×720), 50fps (1280×720) 60Hz:30fps(1280×720), 60fps (1280×720) |
| | Min. Illumination | Color: 0.02Lux@(F1.6,AGC ON) B/W: 0.002Lux@(F1.6,AGC ON) |
| | White Balance | Auto / Manual / ATW / Indoor / Outdoor |
| | AGC | Auto / Manual |
| | S / N Ratio | ≥ 50dB |
| | 3D DNR | Support |
| | Backlight Compensation | Support |
| | WDR | Digital WDR |
| | Shutter Time | PAL: 1-1/10,000s NTSC: 1-1/10,000s |
| | Day & Night | IR Cut Filter |
| | Digital Zoom | 16x |
| | Privacy Mask | 8 privacy masks programmable; a maximum of 8 zones can be masked simultaneously on the same video screen |
| Focus Model | Auto / Semiautomatic / Manual | |
| Lens | Focal Length | 4-92mm, 23X |
| | Zoom Speed | Approx.3.0s(Optical Wide-Tele) |
| | Angle of View | 49-2.2 degree(Wide-Tele) |
| | Min. Working Distance | 10-1000mm (Wide-Tele) |
| | Aperture | F1.6-F3.7 |
| Pan and Tilt | Pan Range | 360° endless |
| | Pan Speed | Pan Manual Speed: 0.1°-250°/s, Pan Preset Speed: 300°/s |
| | Tilt Range | -5°-90° (Auto Flip) |
| | Tilt Speed | Tilt Manual Speed: 0.1°-150°/s, |

| | | |
|----------------------|---|--|
| | | Tilt Preset Speed: 200°/s |
| | Proportional Zoom | Rotation speed can be adjusted automatically according to zoom multiples |
| | Number of Preset | 256 |
| | Patrol | 8 patrols, up to 32 presets per patrol |
| | Pattern | 4 patterns, with the total recording time not less than 10 minutes |
| | Power-off Memory | Support |
| | Park Action | Preset / Patrol / Pattern / Pan scan / Tilt scan / Frame Scan / Random scan / Panorama scan |
| | PTZ Position Display | On / Off |
| | Preset Freezing | Support |
| | Scheduled Task | Preset / Patrol / Pattern / Pan scan / Tilt scan / Frame Scan / Random scan / Panorama scan |
| | RS-485 communication diagnosis | Support |
| Input/ Output | Monitor Output | 1 turbo HD720p output 1 CVBS output: 1.0V[p-p] / 75Ω, NTSC (or PAL) composite, BNC |
| | RS-485 Interface | Half-duplex mode Self-adaptive HIKVISION, Pelco-P, Pelco-D protocol |
| | UTC function | HIKVISION_C *Need UTC controller if DVR don't support UTC function |
| General | Menu Language | English, Chinese |
| | Power | 24VAC Outdoor dome: Max. 20W (Heater On), Max. 12W(Heater Off) Indoor dome: Max.12W |
| | Working Temperature / Humidity | -30 °C-65°C(-22°F-149°F)(outdoor dome) / -10°C-50°C(14°F-122°F)(indoor dome) 90% or less |
| | Protection Level | IP66 standard (outdoor dome) TVS 4,000V lightning protection, surge protection and voltage transient protection |
| | Impact Protection | Outdoor: IEC60068-275Eh, 20J; EN50102, up to IK10 Indoor: IEC60068-275Eh, 10J; EN50102, up to IK09 |
| | Mounting | Various mounting modes optional |
| | Dimensions | Φ220×305mm (Φ8.66"×12.00")(Outdoor) Φ183.4×243mm(Φ7.22"×9.56") (Indoor) Φ245×236mm(Φ9.65"×9.29") (In-ceiling) |
| | Weight (approx.) | 3Kg (6.61 lbs) |
| | Mount Option (only suitable for outdoor dome) | Long-arm wall mount: DS-1602ZJ; Corner mount: DS-1602ZJ-corner; Pole Mount: DS-1602ZJ-pole; Power box mount: DS-1602ZJ-box |

Dimensions



Order models

- DS-2AE5123T-A, 24VAC, outdoor
- DS-2AE5123T-A3, 24VAC, indoor

Accessories



DS-1602ZJ Long-arm Wall Mount Bracket