



DS-2DY9187-AIA

2MP Laser Long Focus Network HD PTZ Camera

Features

Laser function

- Min. illumination 0Lux
- efficient Infrared laser, low power consumption, 1000m distance
- Adjust laser intensity according to zoom and distance, image can be adjusted to ideal status
- Support Smart IR

Wiper function

- Smart wiper mode, support single/ multi-mode, support frequency and dwell time setting.
- Automobile wiper blades

System Function

- High performance sensor, up to 1920x1080 resolution
- Support Hikvision SDK, ONVIF, PSIA, CGI
- Support PAL/NTSC
- 3D intelligent positioning function
- 3D DNR
- Multi-language interface
- Dual-OS system, ensures no data loss in power loss
- Power-off memory, automatically back to PTZ and camera status when power on.
- lightning protection, surge protection and voltage transient protection
- IP66
- Scheduled Preset / Patrol / Pattern / Pan scan / Tilt scan / Random scan / Frame scan / Panorama scan / Auxiliary output

Camera Function:

- 8-250mm long focus, 32x Optical Zoom, 16x Digital Zoom
- Auto iris, auto focus, auto white balance, backlight compensation
- Min. Illumination: 0.05Lux/F1.6(Color), 0.01Lux/ F1.6(B/W), 0 Lux with IR
- Support WDR
- Support privacy mask with multiple colors and mosaics on polygonal areas

Network function

- High performance platform, system reliable
- Support Ethernet control, support analog output
- View image and realize control by IE and client software
- Micro SD/SDXC card local storage
- Support up to 8 NAS storage; Edge recording(transmit the videos from SD card to the NAS after network resumed)
- Support three levels user management, Support authorized user and password, support IP address filtering, HTTPS encryption, IEEE 802.1xAccess control
- Support Triple-stream technology
- Support ROI (Region of interest)
- Support H.264/MJPEG/MPEG4. H.264 Baseline/Main/High Profile, support real-time output resolution 1080p、960p and HDTV720p(SMPTE296M Standard)
- Support multiple network protocols IPv4/IPv6, HTTP, HTTPS, 802.1x, QoS, FTP, SMTP, UPnP, SNMP, DNS, DDNS, NTP, RTSP, RTP, TCP,UDP, IGMP, ICMP, DHCP, PPPoE
- 1 audio input and 1 audio output

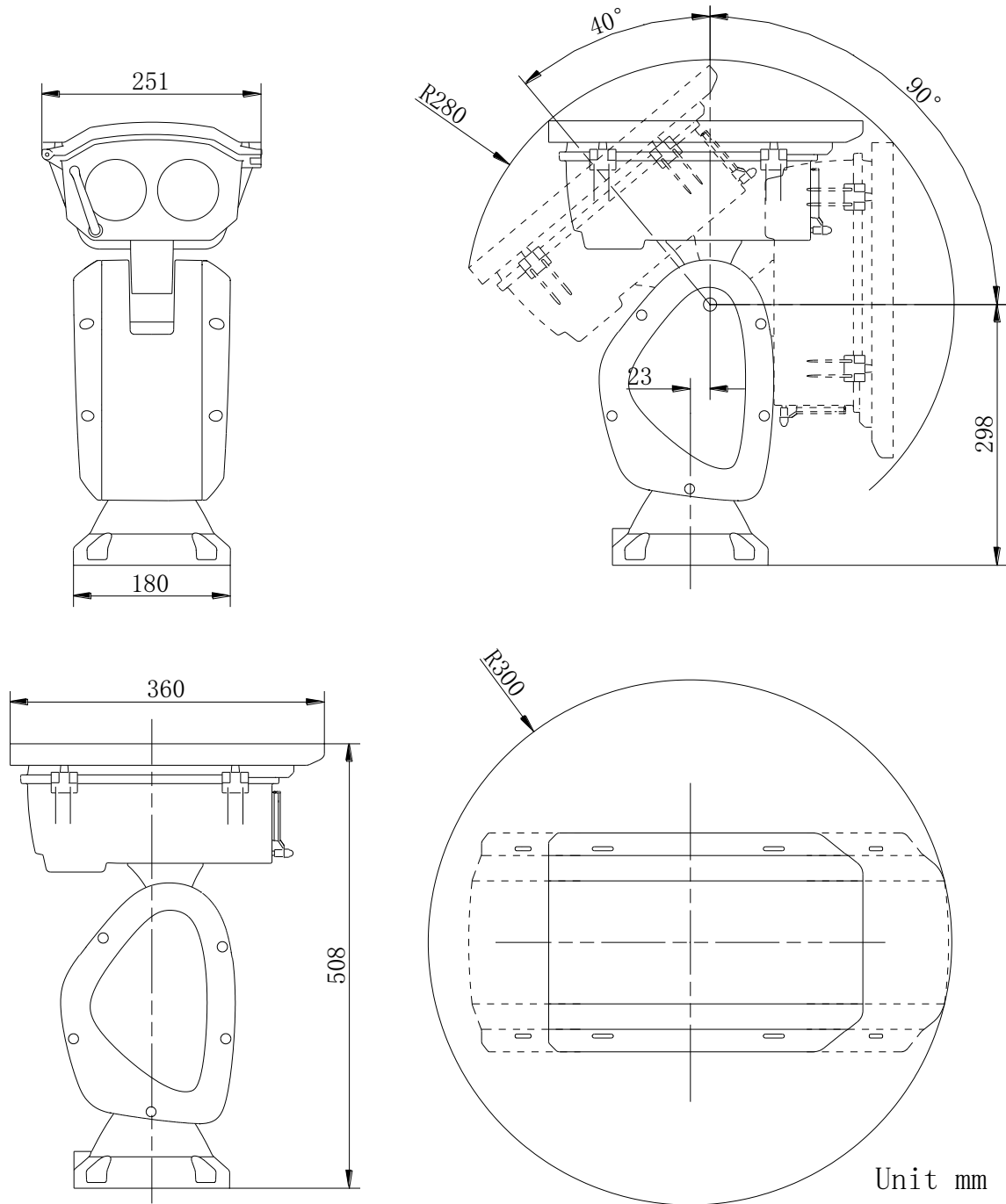
PTZ function

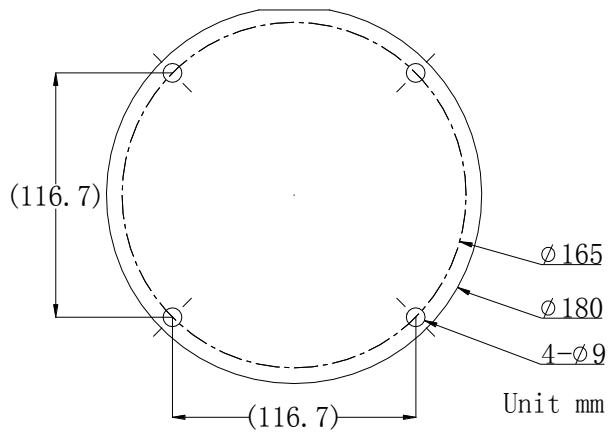
- 360° endless pan range and 40°(Upwards) to -90°(downwards) tilt range
- 100°/s Pan Preset Speed and 40°/s Tilt Preset Speed
- 0.1°-100°/s Manual Pan Speed and 0.1°-40°/s Manual Tilt Speed
- 256 presets programmable; preset image freezing capability
- 8 patrols, up to 32 presets per patrol
- 4 patterns, with the recording time not less than 10 minutes per pattern
- Proportional zoom function
- Park function, automatically call Preset / Patrol / Pattern / Pan scan / Tilt scan / Random scan / Frame scan / Panorama scan after specified time
- 7 alarm inputs and 2 alarm output, call Preset / Patrol / Pattern /SD card recording/ Trigger switch output /client electronic map after alarm trigger

Model		DS-2DY9187-A1A
parameters		2MP Laser Long Focus Network HD PTZ Camera
Camera	Image Sensor	1/2.8" Progressive Scan CMOS
	pixel	3270K Pixels
	Min. illumination	Color: 0.05Lux @ (F1.6, AGC ON) B/W: 0.01Lux @ (F1.6, AGC ON) 0 Lux with IR
	White balance	Auto/Manual /ATW/Indoor/Outdoor/Daylight lamp/Sodium lamp
	AGC	Auto / Manual
	S / N Ratio	≥ 52dB
	3D DNR	Support
	BLC	Support
	WDR	Support
	Shutter Time	50Hz: 1/1-1/30, 000s 60Hz: 1/1-1/30, 000s
	Day & Night	IR Cut Filter
	Digital Zoom	16X
	Privacy Mask	24 privacy masks programmable; optional multiple colors and mosaics
	Focus Mode	Auto / Semiautomatic / Manual
	Lens	Focal Length
Zoom Speed		Approx.5.3s(Optical Wide-Tele)
Angle of View		35.5-2.0 degree (Wide-Tele)
Min. Working Distance		10mm-1500mm(Wide-Tele)
Aperture Range		F1.8-F6.1
PTZ	Pan Range	360° endless
	Pan Speed	Pan Manual Speed: 0.1°-100°/s, Pan Preset Speed: 100°/s
	Tilt Range	40° to -90°
	Tilt Speed	Tilt Manual Speed: 0.1°-40°/s, Tilt Preset Speed:40°/s
	Proportional Zoom	Support
	Number of Preset	256
	Patrol	8 patrols, up to 32 presets per patrol
	Pattern	4 patterns, with the recording time not less than 10 minutes per pattern
	Power-off Memory	Support
	Park Action	Preset / Patrol / Pattern / Pan scan / Tilt scan / Random scan / Frame scan / Panorama scan
	PTZ Position Display	On / Off
	Preset Freezing	Support
	Scheduled Task	Preset / Patrol / Pattern / Pan scan / Tilt scan / Random scan / Frame scan / Panorama scan / Auxiliary output
Laser function	Laser Distance	1000m
	Laser synchronization	Laser intensity and angle adjustable according to scenario
Network	Max. Image Resolution	1920×1080
	Main Stream	50Hz:25fps(1920×1080)、25fps(1280×960)、25fps(1280×720) 60Hz:30fps(1920×1080)、30fps(1280×960)、30fps(1280×720)
	Sub Stream	50Hz:25fps(704×576)、25fps(352×288)、25fps(176×144) 60Hz:30fps(704×480)、30fps(352×240)、30fps(176×120)
	Third Stream	50Hz:25fps(1920×1080)、25fps(1280×960)、25fps(1280×720)、25fps(704×576)、25fps(352×288)、25fps(176×144) 60Hz:30fps(1920×1080)、30fps(1280×960)、30fps(1280×720)、30fps(704×480)、30fps(352×240)、30fps(176×120)
	Image Compression	H.264/MJPEG/MPEG4、H.264 Baseline/Main/High Profile
	SVC	Support
	ROI encoding	Support 24 areas with adjustable levels
	Audio Compression	G.711ulaw/G.711alaw/G.726/MP2L2
	Protocols	IPv4/IPv6,HTTP,HTTPS,802.1x,Qos,FTP,SMTP,UPnP,SNMP,DNS,DDNS,NTP,RTSP,RTCP,UDP,IGMP,ICMP,DHCP,PPPoE
	Number of Simultaneous Live View	Max.10

	User/Host Level	Up to 32 users,3 Levels: Administrator, Operator and User
	Security Measures	User authentication (ID and PW), Host authentication (MAC address) IP address filtering, HTTPS encryption, IEEE 802.1xAccess control
System Integration	Alarm Input	7 (0-5vDC)
	Alarm Output	2 relay outputs, alarm response actions configurable
	Alarm Action	Preset, Patrol, Pattern, SD/SDHC card recording, Trigger switch output, client electronic map
	Alarm Trigger	Motion detection, Audio Exception Detection, Tampering alarm Network disconnect, IP address conflict, Storage exception, illegal access
	Audio Input	1 Mic in/Line in interface, Line input: 2-2.4V[p-p]; output impedance: 1K Ω , \pm 10%
	Audio Output	Line level, impedance: 600 Ω
	Ethernet	10Base-T / 100Base-TX, RJ45 connector
	SD Memory Card	Manual REC / Alarm REC. Built-in Micro SD/SDXC Slot, up to 32GB Edge recording
	Monitor Output	1.0V[p-p] / 75 Ω . PAL/NTSC. BNC
	RS485	HIKVISION, Pelco-P, Pelco-D, self-adaptive
	Interface for application programming	Open-ended API, support ONVIF, PSIA and CGI. Support Hikvision SDK and third party management platform, support GB/T28181 protocol
	Client	Support iVMS-4200 PCNVR
	Web Browser	IE 7+, Chrome 18 +, Firefox 5.0 +, Safari 5.02 +, support multi-language
General	Menu Language	Chinese, English
	Power	AC24V 110W max
	Working Temperature / Humidity	-40 $^{\circ}$ C-70 $^{\circ}$ C, 90% or less
	Protection Level	IP66 TVS 6,000V lightning protection, surge protection and voltage transient protection, match GB/T17626.5 level 4 standard
	Weight (approx.)	15kg

Dimension



Basement Dimension**Application field**

Network HD PTZ Camera can be applied in wide range HD monitoring area, ex: river, forest, road, railway, airport, harbor, square, park, attractions, street, station, stadium, residential periphery.