

## THC-D320-VF 2 MP EXIR VF Dome Camera



### Key Features

- 2 MP high-performance CMOS
- 1920 × 1080 resolution
- 2.8 mm to 12 mm vari-focal lens
- Day/Night switch
- EXIR 2.0, smart IR, up to 40 m IR distance
- 4 in 1 video output (switchable TVI/AHD/CVI/CVBS)
- IP66, IK10

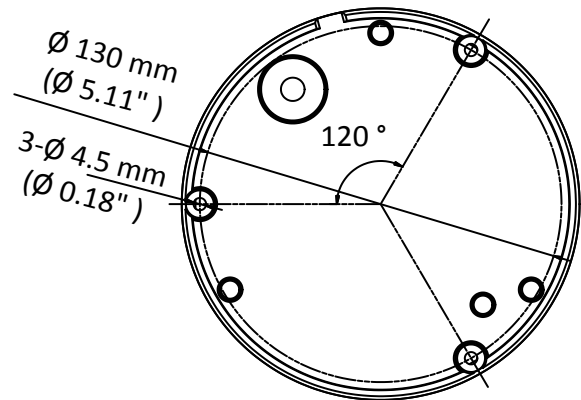
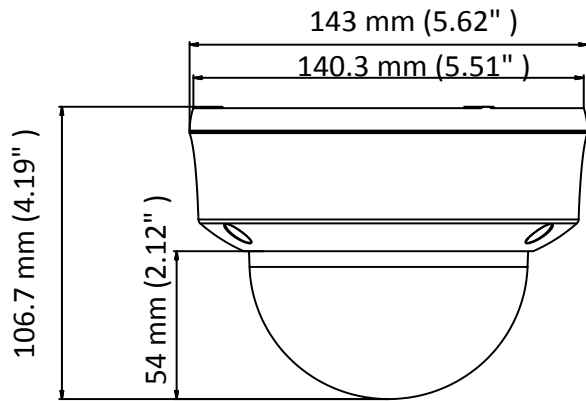
## Specifications

<b>Camera</b>	
Image Sensor	2 MP CMOS image sensor
Signal System	PAL/NTSC
Resolution	1920 (H) × 1080 (V)
Min. Illumination	0.01 Lux@(F1.2, AGC ON), 0 Lux with IR
Shutter Time	1/25 (1/30) s to 1/50,000 s
Lens	2.8 mm to 12 mm
Horizontal Field of View	111.5° to 33.4°
Lens Mount	Ø14
Day & Night	IR cut filter
Angle Adjustment	Pan: 0° to 355°, Tilt: 0° to 75°, Rotation: 0° to 355°
Synchronization	Internal synchronization
Video Frame Rate	PAL:1080p@25fps NTSC: 1080p@30fps
<b>Menu</b>	
AGC	High/Medium/Low/Off
D/N Mode	Auto/Color/BW (Black and White)
BLC	Support
DWDR	Support
Language	English
Functions	Brightness, Sharpness, DNR, Mirror, Smart IR
<b>Interface</b>	
Video Output	1 HD analog output
Switch Button	TVI/AHD/CVI/CVBS
<b>General</b>	
Operating Conditions	-40 °C to 60 °C (-40 °F to 140 °F), Humidity: 90% or less (non-condensation)
Power Supply	12 VDC ± 15%
Power Consumption	Max. 3.9 W
Protection Level	IP66, IK10
Material	Metal
IR Range	Up to 40 m
Dimensions	Ø 143 mm × 106.7 mm ( Ø 5.62" × 4.19")
Weight	630 g (1.39 lb.)

## Order Model

THC-D320-VF

## Dimension



## Accessories



HIA-B402-DM45  
Wall Mount



HIA-B301  
Vertical Pole Mount



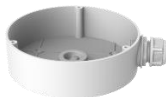
HIA-B201  
Corner Mount



HIA-B101-DM45  
Pendant Mount



HIA-P102  
Rain Shade



HIA-J104-DM45  
Junction Box



HIA-J203-DM45  
Inclined Ceiling Mount